

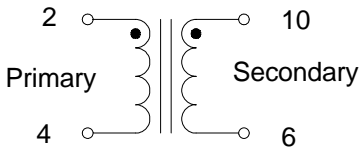
MODEM TRANSFORMER S574-1000-06

TM0043

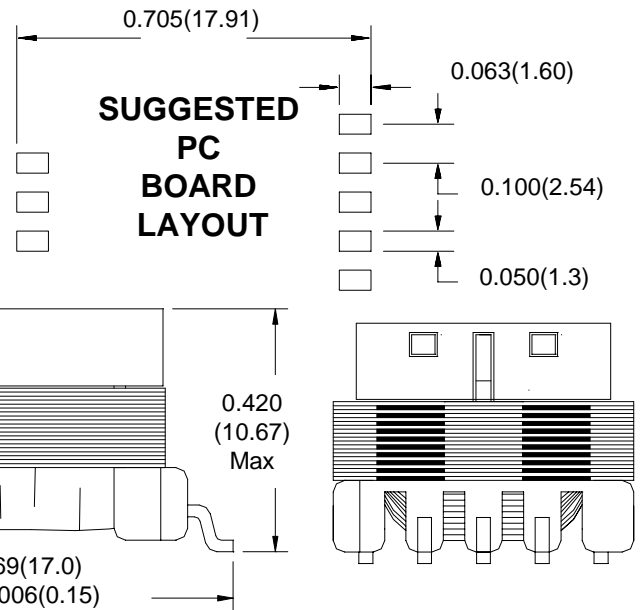
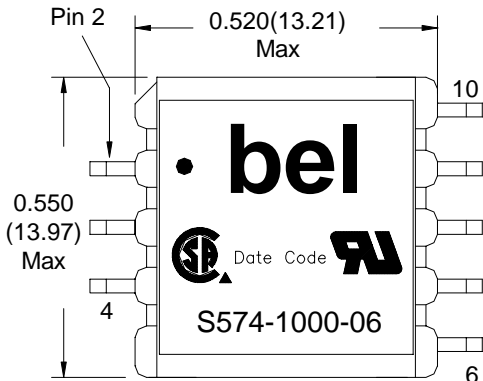
Bel proudly introduces a new modem transformer for data/fax modem applications including V.34bis 28,800 bps applications. Tape and Reel packaging available.

- * 1250 Vrms isolation Voltage.
- * Meets or exceeds requirements of: CAN/CSA-C22.2 (1988) No. 225(M90), and DOC's C3-03 (Issue 7): UL's UL1950; 2nd edition; and FCC's Part 68(58 FR 44907, Aug 25, 1993).
- * Weight is 5.0 grams

SCHEMATIC



MECHANICALS



Dimensions are in inches (mm).
Dimension tolerance +/- 0.01(0.25) unless otherwise stated.

ELECTRICALS @ 25°C.

Part Number	Turns Ratio (+/- 2%)	Insertion Loss (dB) +/- 0.25dB	Reflected Impedance (ohms) +/-5%	Return Loss (dB) Min	DCR (Ω) +/- 10%		Longitudinal Balance (dB) Min		Harmonic Distortion (dB) Max 600Hz
				300Hz to 4000Hz	Pins (6-10)	Pins (2-4)	200Hz to 1000Hz	1000Hz to 4000Hz	
S574-1000-06	1 : 1	1.50	600	25	87.5	82.5	60	40	-82

Insertion loss measured at 1kHz.
Reflected impedance, distortion, Longitudinal balance measured with 442 ohms across the secondary.
Harmonic Distortion. The -82dB max is measured at 600Hz, -10dBm (V.34) ref.
DC Resistance is measured at 20°C.

Part Number	Frequency Response (dB)
	300Hz to 3500Hz
S574-1000-06	+/- 0.25

Corporate Office

Bel Fuse Inc.
198 Van Vorst Street, Jersey City, NJ 07302-4496
Tel: 201-432-0463
Fax: 201-432-9542
E-Mail: BelFuse@belfuse.com
Internet: <http://www.belfuse.com>

Far East Office

Bel Fuse Ltd.
8F/8 Luk Hop Street
San Po Kong
Kowloon, Hong Kong
Tel: 852-2328-5515
Fax: 852-2352-3706

European Office

Bel Fuse Europe Ltd.
Preston Technology Management Centre
Marsh Lane, Preston PR1 8UD
Lancashire, U.K.
Tel: 44-1772-556601
Fax: 44-1772-888366